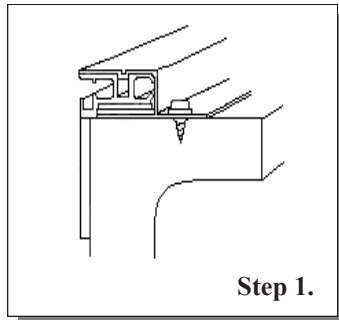


# Pool Cover Form E

Tech Support (800) 382-5430

**STEGMEIER**  
LLC  
www.stegmeier.com

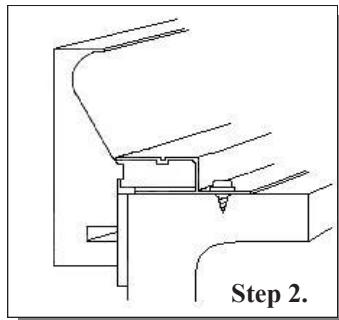
## Instructions:



Step 1.

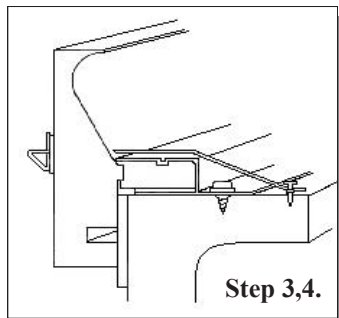
**Step 1.** Wipe the pool wall down with a clean cloth to remove any moisture or dust. Remove cover track inside to allow form to be set to proper elevation.

**Note:** During cold weather days it may be necessary to warm the tile prior to sticking the form.



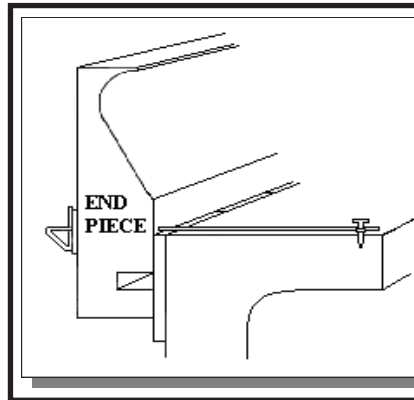
Step 2.

**Step 2.** Peel the paper off the double faced tape (one foot at a time) to attach the form. Insert the rib of the form into the track and stick the form to the pool wall.



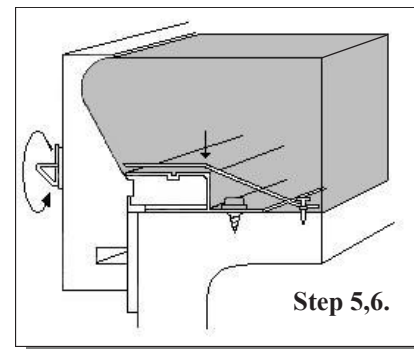
Step 3,4.

**Step 3.** Drive the concrete nails into the bond beam approximately 12" apart.



## End Pieces

This is the end piece (the form opposite the pool cover roller). The only difference from the side forms is that the end piece has no lip. Level the end piece with the side form and secure to wall.

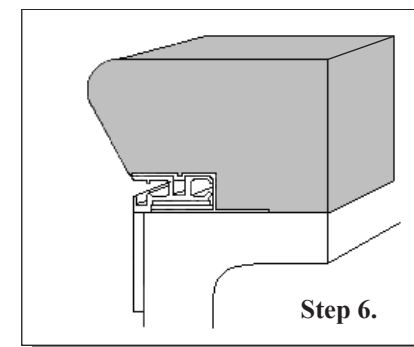


Step 5,6.

**Step 4.** Place a plastic washer (provided) on the tie wire. Push the tie wire through the form level with the top of the track. Hold the form with slight pressure and tie the tail of the tie wire around the nail.

**Step 5.** While pouring tap the form to release air bubbles. This will help prevent honeycombing.

**Step 6.** Once the concrete is strong enough to support it's own weight, the forms should be removed. To remove the forms, twist the tie wire head, it will break the tie wire inside the concrete. Pull the form away exposing the face for the finish.



Step 6.

**Note:** Removing the forms one section at a time will help keep the moisture in the concrete to allow adequate time to finish.

\* **Structural Considerations:** If the installation is a coping pour, **DO NOT** apply a bond breaker as it is necessary to adhere the concrete to the top of the bond beam.